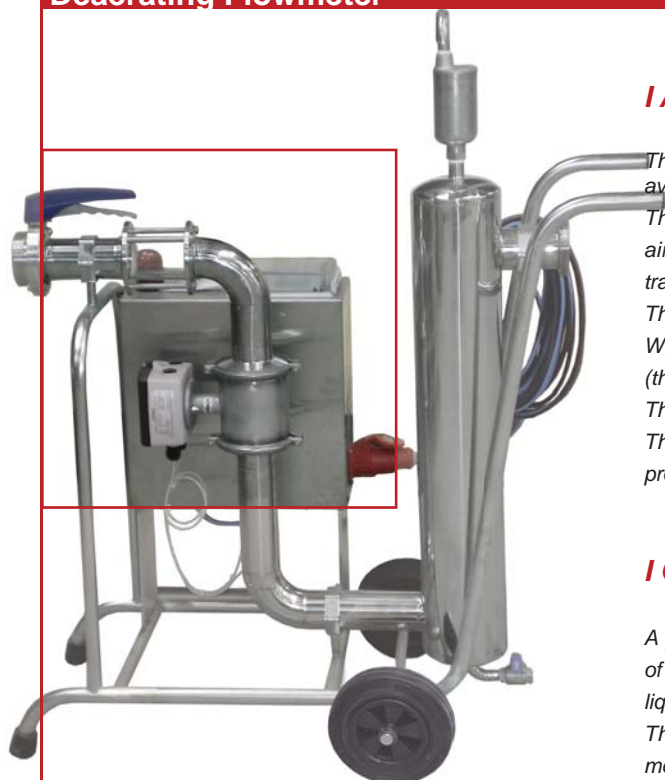


## Deaerating Flowmeter



### I Application

The unit is designed to remove air from the product and to measure its flow avoiding incorrect reading results.

The air bubbles might alter the flow meter reading, thus, an air vent valve, or an air eliminator, removes the air bubbles and improves the reading of the transferred product quantity.

The unit has an option of selecting the volume of the liquid to be transferred. When the transferred volume reaches the required one, the unit stops the pump (this application is the most common).

The capacity range is from 10.000 to 60.000 l/h.

The deaerating flowmeter is designed to work mainly with low viscosity food products like wine, fruit juices, milk, water, etc.

### I Operating principle

A preliminary tank slows down the speed of the liquid, it enables the separation of the two phases: liquid and gas. The separation stratifies the tank content: the liquid remains at the bottom of the tank and the gas rises.

The lower layer, liquid, passes through the electromagnetic flowmeter that measures the flow rate, it is provided with the option of indicating the total of the transferred liquid.

On the top of the unit, there is a vent valve that releases gases from the tank.

Thus, the gas (normally air) does not affect the reading of the flowmeter.

When the transferred volume reaches the required one, the unit stops the energy supply to the pumping units or sends an electric signal to be captured by an external interface.

After use, the unit can be cleaned with chemical agents, typical cleaning products for the food-processing industry.

### I Materials

CE push button box (230V).

St.St. control panel.

Electronic dosing module with display. Keyboard and alarm light.

Power output linked to the dosing parameter (connection to a pumping unit).

Volume-to-transfer selection enables automatic dosing.

Electromagnetic flowmeter. Calibration certificate.

304 St.St. trolley.

Parts in contact with the product: AISI 316L.

DIN connections (DN65).

Manual butterfly valve.

Sight glass.

Manual drain valve.



# Deaerating Flowmeter

## I Options

Connections: SMS, Macon, Clamp.

Turbine flowmeter.

Mass flowmeter.

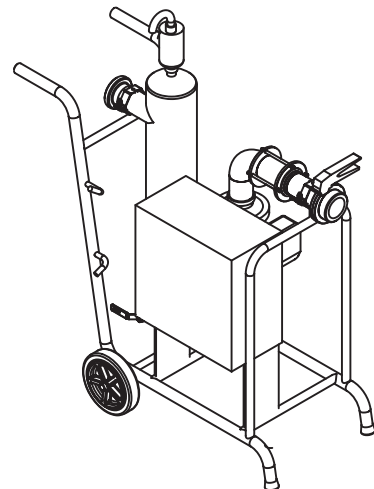
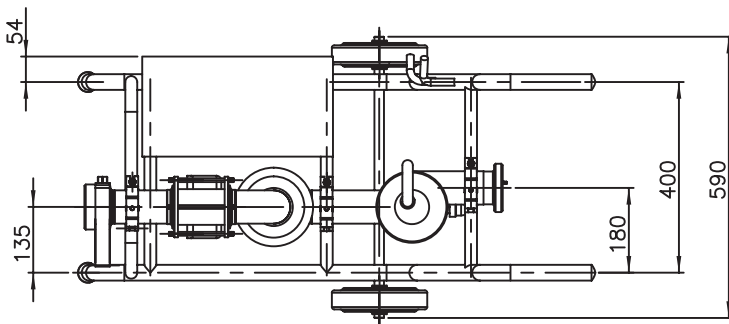
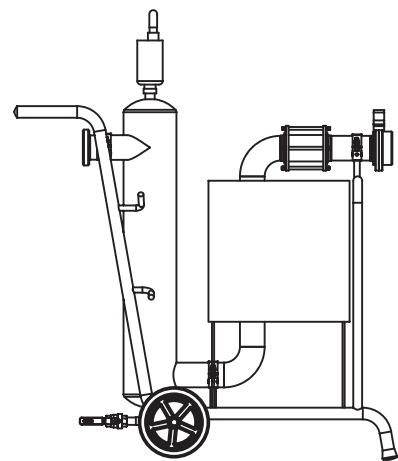
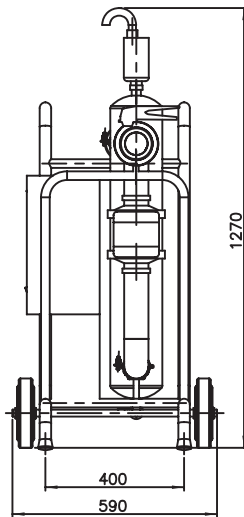
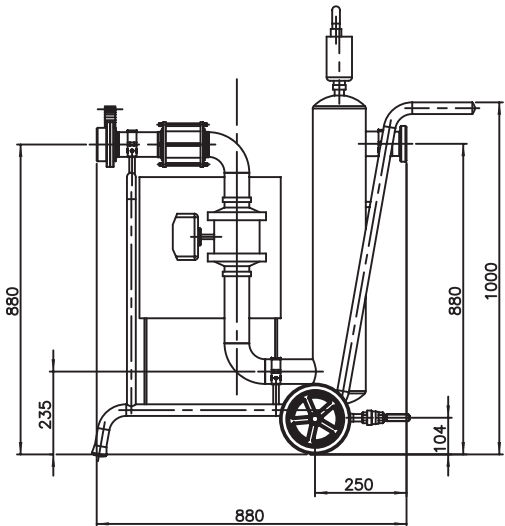
Liquid presence detector.

Temperature sensor.

Printer for receipts.

Operator's panel for data input.

Transfer pump.



The information contained in this brochure is for guidance only. We reserve the right to modify any material or feature without notice in advance. For further information, please, consult our web site. [www.inoxpa.com](http://www.inoxpa.com)



FIsoIDF.1.EN-0308