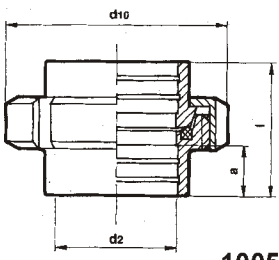
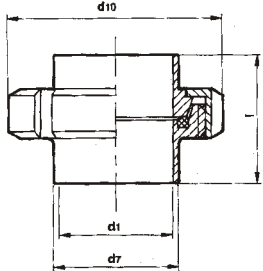
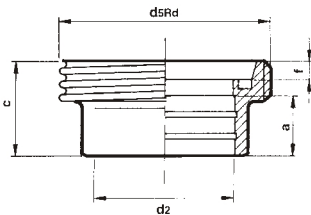
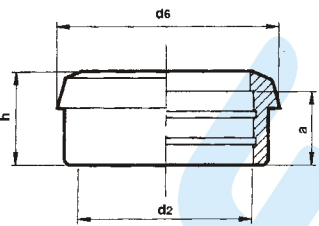
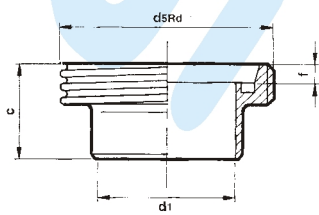


<p>RAKOR MAKİNATOLU (DIN) WALZVERSCHRÄUBUNG EXPANDING UNION</p>  <p style="text-align: right;">1005</p>	<table border="1"> <thead> <tr> <th>DN</th> <th>d₂</th> <th>d₁₀</th> <th>l</th> <th>a</th> </tr> </thead> <tbody> <tr><td>10</td><td>12,2</td><td>38</td><td>34</td><td>12</td></tr> <tr><td>15</td><td>18,2</td><td>44</td><td>34</td><td>12</td></tr> <tr><td>20</td><td>22,2</td><td>54</td><td>36</td><td>12</td></tr> <tr><td>25</td><td>28,2</td><td>63</td><td>45</td><td>15</td></tr> <tr><td>32</td><td>34,2</td><td>70</td><td>51</td><td>18</td></tr> <tr><td>40</td><td>40,2</td><td>78</td><td>53</td><td>20</td></tr> <tr><td>50</td><td>52,2</td><td>92</td><td>57</td><td>22</td></tr> <tr><td>65</td><td>70,3</td><td>112</td><td>65</td><td>25</td></tr> <tr><td>80</td><td>85,3</td><td>127</td><td>75</td><td>28</td></tr> <tr><td>100</td><td>104,3</td><td>148</td><td>89</td><td>35</td></tr> </tbody> </table>	DN	d ₂	d ₁₀	l	a	10	12,2	38	34	12	15	18,2	44	34	12	20	22,2	54	36	12	25	28,2	63	45	15	32	34,2	70	51	18	40	40,2	78	53	20	50	52,2	92	57	22	65	70,3	112	65	25	80	85,3	127	75	28	100	104,3	148	89	35											
DN	d ₂	d ₁₀	l	a																																																															
10	12,2	38	34	12																																																															
15	18,2	44	34	12																																																															
20	22,2	54	36	12																																																															
25	28,2	63	45	15																																																															
32	34,2	70	51	18																																																															
40	40,2	78	53	20																																																															
50	52,2	92	57	22																																																															
65	70,3	112	65	25																																																															
80	85,3	127	75	28																																																															
100	104,3	148	89	35																																																															
<p>RAKOR KAYNAKLI (DIN) SWERSCHRÄUBUNG WELDING UNION</p>  <p style="text-align: right;">1015</p>	<table border="1"> <thead> <tr> <th>DN</th> <th>d₁</th> <th>d₇</th> <th>d₁₀</th> <th>l</th> </tr> </thead> <tbody> <tr><td>10</td><td>10</td><td>15</td><td>38</td><td>34</td></tr> <tr><td>15</td><td>16</td><td>21</td><td>44</td><td>34</td></tr> <tr><td>20</td><td>20</td><td>25</td><td>54</td><td>36</td></tr> <tr><td>25</td><td>26</td><td>31</td><td>63</td><td>45</td></tr> <tr><td>32</td><td>32</td><td>37</td><td>70</td><td>51</td></tr> <tr><td>40</td><td>38</td><td>43</td><td>78</td><td>53</td></tr> <tr><td>50</td><td>50</td><td>55</td><td>92</td><td>57</td></tr> <tr><td>65</td><td>66</td><td>72</td><td>112</td><td>65</td></tr> <tr><td>80</td><td>81</td><td>87</td><td>127</td><td>75</td></tr> <tr><td>100</td><td>100</td><td>106</td><td>148</td><td>89</td></tr> <tr><td>125</td><td>125</td><td>132</td><td>178</td><td>70</td></tr> <tr><td>150</td><td>150</td><td>157</td><td>210</td><td>76</td></tr> </tbody> </table>	DN	d ₁	d ₇	d ₁₀	l	10	10	15	38	34	15	16	21	44	34	20	20	25	54	36	25	26	31	63	45	32	32	37	70	51	40	38	43	78	53	50	50	55	92	57	65	66	72	112	65	80	81	87	127	75	100	100	106	148	89	125	125	132	178	70	150	150	157	210	76	
DN	d ₁	d ₇	d ₁₀	l																																																															
10	10	15	38	34																																																															
15	16	21	44	34																																																															
20	20	25	54	36																																																															
25	26	31	63	45																																																															
32	32	37	70	51																																																															
40	38	43	78	53																																																															
50	50	55	92	57																																																															
65	66	72	112	65																																																															
80	81	87	127	75																																																															
100	100	106	148	89																																																															
125	125	132	178	70																																																															
150	150	157	210	76																																																															
<p>DİŞLİ PARÇA MAKİNATOLU (DIN) WALZ-GEWINDESTÜTZEN EXPANDING MALE</p>  <p style="text-align: right;">1001</p>	<table border="1"> <thead> <tr> <th>DN</th> <th>a</th> <th>c</th> <th>d₂</th> <th>d₅Rd</th> <th>f</th> </tr> </thead> <tbody> <tr><td>10</td><td>12</td><td>21</td><td>12,2</td><td>28 x 1/8"</td><td>4</td></tr> <tr><td>15</td><td>12</td><td>21</td><td>18,2</td><td>34 x 1/8"</td><td>4</td></tr> <tr><td>20</td><td>12</td><td>24</td><td>22,2</td><td>44 x 1/6"</td><td>6</td></tr> <tr><td>25</td><td>15</td><td>29</td><td>28,2</td><td>52 x 1/6"</td><td>7</td></tr> <tr><td>32</td><td>18</td><td>32</td><td>34,2</td><td>58 x 1/6"</td><td>7</td></tr> <tr><td>40</td><td>20</td><td>33</td><td>40,2</td><td>65 x 1/6"</td><td>7</td></tr> <tr><td>50</td><td>22</td><td>35</td><td>52,2</td><td>78 x 1/6"</td><td>7</td></tr> <tr><td>65</td><td>25</td><td>40</td><td>70,3</td><td>95 x 1/6"</td><td>8</td></tr> <tr><td>80</td><td>28</td><td>45</td><td>85,3</td><td>110 x 1/4"</td><td>8</td></tr> <tr><td>100</td><td>35</td><td>54</td><td>104,3</td><td>130 x 1/4"</td><td>10</td></tr> </tbody> </table>	DN	a	c	d ₂	d ₅ Rd	f	10	12	21	12,2	28 x 1/8"	4	15	12	21	18,2	34 x 1/8"	4	20	12	24	22,2	44 x 1/6"	6	25	15	29	28,2	52 x 1/6"	7	32	18	32	34,2	58 x 1/6"	7	40	20	33	40,2	65 x 1/6"	7	50	22	35	52,2	78 x 1/6"	7	65	25	40	70,3	95 x 1/6"	8	80	28	45	85,3	110 x 1/4"	8	100	35	54	104,3	130 x 1/4"	10
DN	a	c	d ₂	d ₅ Rd	f																																																														
10	12	21	12,2	28 x 1/8"	4																																																														
15	12	21	18,2	34 x 1/8"	4																																																														
20	12	24	22,2	44 x 1/6"	6																																																														
25	15	29	28,2	52 x 1/6"	7																																																														
32	18	32	34,2	58 x 1/6"	7																																																														
40	20	33	40,2	65 x 1/6"	7																																																														
50	22	35	52,2	78 x 1/6"	7																																																														
65	25	40	70,3	95 x 1/6"	8																																																														
80	28	45	85,3	110 x 1/4"	8																																																														
100	35	54	104,3	130 x 1/4"	10																																																														
<p>ERKEK PARÇA MAKİNATOLU WALZ-KEGELSTÜTZEN EXPANDING LINER</p>  <p style="text-align: right;">1002</p>	<table border="1"> <thead> <tr> <th>DN</th> <th>a</th> <th>d₂</th> <th>d₆</th> <th>h</th> </tr> </thead> <tbody> <tr><td>10</td><td>12</td><td>12,2</td><td>22</td><td>17</td></tr> <tr><td>15</td><td>12</td><td>18,2</td><td>28</td><td>17</td></tr> <tr><td>20</td><td>12</td><td>22,2</td><td>36</td><td>18</td></tr> <tr><td>25</td><td>15</td><td>28,2</td><td>44</td><td>22</td></tr> <tr><td>32</td><td>18</td><td>34,2</td><td>50</td><td>25</td></tr> <tr><td>40</td><td>20</td><td>40,2</td><td>56</td><td>26</td></tr> <tr><td>50</td><td>22</td><td>52,2</td><td>68</td><td>28</td></tr> <tr><td>65</td><td>25</td><td>70,3</td><td>86</td><td>32</td></tr> <tr><td>80</td><td>28</td><td>85,3</td><td>100</td><td>37</td></tr> <tr><td>100</td><td>35</td><td>104,3</td><td>121</td><td>44</td></tr> </tbody> </table>	DN	a	d ₂	d ₆	h	10	12	12,2	22	17	15	12	18,2	28	17	20	12	22,2	36	18	25	15	28,2	44	22	32	18	34,2	50	25	40	20	40,2	56	26	50	22	52,2	68	28	65	25	70,3	86	32	80	28	85,3	100	37	100	35	104,3	121	44											
DN	a	d ₂	d ₆	h																																																															
10	12	12,2	22	17																																																															
15	12	18,2	28	17																																																															
20	12	22,2	36	18																																																															
25	15	28,2	44	22																																																															
32	18	34,2	50	25																																																															
40	20	40,2	56	26																																																															
50	22	52,2	68	28																																																															
65	25	70,3	86	32																																																															
80	28	85,3	100	37																																																															
100	35	104,3	121	44																																																															
<p>DİŞLİ PARÇA KAYNAKLI (DIN) S-GEWINDESTÜTZEN WELDING MALE</p>  <p style="text-align: right;">1011</p>	<table border="1"> <thead> <tr> <th>DN</th> <th>c</th> <th>d₁</th> <th>d₅Rd</th> <th>f</th> </tr> </thead> <tbody> <tr><td>10</td><td>21</td><td>10</td><td>28 x 1/8"</td><td>4</td></tr> <tr><td>15</td><td>21</td><td>16</td><td>34 x 1/8"</td><td>4</td></tr> <tr><td>20</td><td>24</td><td>20</td><td>44 x 1/6"</td><td>6</td></tr> <tr><td>25</td><td>29</td><td>26</td><td>52 x 1/6"</td><td>7</td></tr> <tr><td>32</td><td>32</td><td>32</td><td>58 x 1/6"</td><td>7</td></tr> <tr><td>40</td><td>33</td><td>38</td><td>65 x 1/6"</td><td>7</td></tr> <tr><td>50</td><td>35</td><td>50</td><td>78 x 1/6"</td><td>7</td></tr> <tr><td>65</td><td>40</td><td>66</td><td>95 x 1/6"</td><td>8</td></tr> <tr><td>80</td><td>45</td><td>81</td><td>110 x 1/4"</td><td>8</td></tr> <tr><td>100</td><td>54</td><td>100</td><td>130 x 1/4"</td><td>10</td></tr> <tr><td>125</td><td>46</td><td>125</td><td>160 x 1/4"</td><td>12</td></tr> <tr><td>150</td><td>50</td><td>150</td><td>190 x 1/4"</td><td>13</td></tr> </tbody> </table>	DN	c	d ₁	d ₅ Rd	f	10	21	10	28 x 1/8"	4	15	21	16	34 x 1/8"	4	20	24	20	44 x 1/6"	6	25	29	26	52 x 1/6"	7	32	32	32	58 x 1/6"	7	40	33	38	65 x 1/6"	7	50	35	50	78 x 1/6"	7	65	40	66	95 x 1/6"	8	80	45	81	110 x 1/4"	8	100	54	100	130 x 1/4"	10	125	46	125	160 x 1/4"	12	150	50	150	190 x 1/4"	13	
DN	c	d ₁	d ₅ Rd	f																																																															
10	21	10	28 x 1/8"	4																																																															
15	21	16	34 x 1/8"	4																																																															
20	24	20	44 x 1/6"	6																																																															
25	29	26	52 x 1/6"	7																																																															
32	32	32	58 x 1/6"	7																																																															
40	33	38	65 x 1/6"	7																																																															
50	35	50	78 x 1/6"	7																																																															
65	40	66	95 x 1/6"	8																																																															
80	45	81	110 x 1/4"	8																																																															
100	54	100	130 x 1/4"	10																																																															
125	46	125	160 x 1/4"	12																																																															
150	50	150	190 x 1/4"	13																																																															